

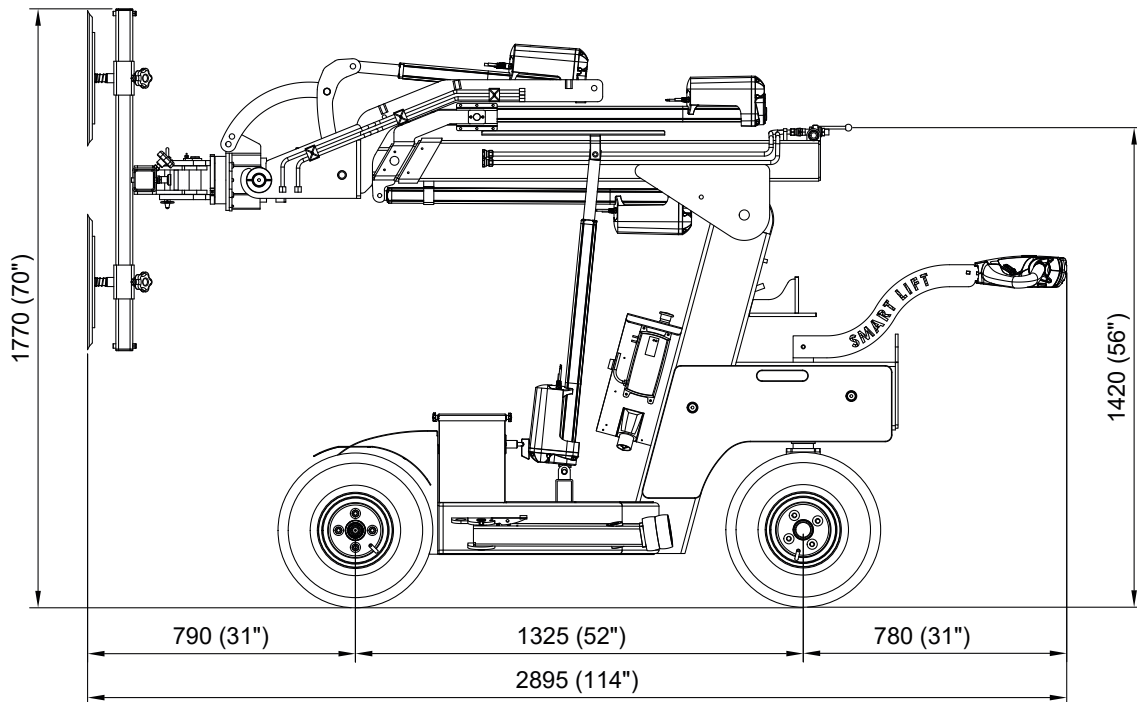
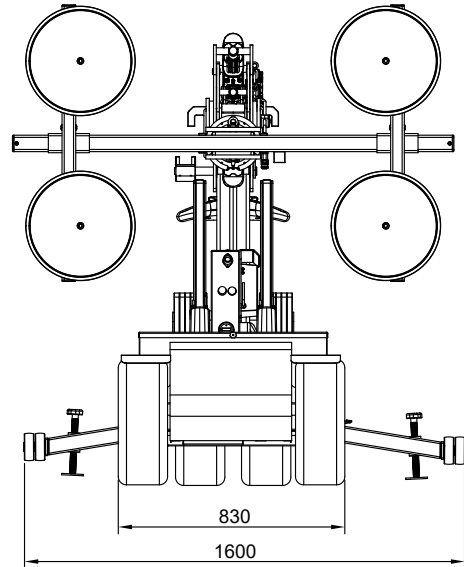


SMARTLIFT®

SL 608 OUTDOOR HIGH LIFTER (E) / ROTATION

TECHNICAL SPECIFICATIONS

Model	SL 608 Outdoor HL/RT + HLE/RT
Lifting cap. arm in/out	608/150kg - 1,340/330 lbs.
Lifting height	4,200 mm/165 in.
Extension of arm	700+900mm/12 ft. 2 in.
Tip from horizontal	40° back / 100° fwd.
Side shift	100 mm / 4 in.
Charging voltage	230 V / 110V
Charging time	Approx. 8 hrs.
Running period	Up to 8 hrs.
Front-wheel drive	1200 W AC
Suction pads	4 x Ø400mm / 4 x Ø16 in.
Width	830 mm / 33 in.
Curb weight	930-980 kg / 2,050-2,160 lbs.
Class	IP 65



SL608 Outdoor High Lifter Electric Rotation